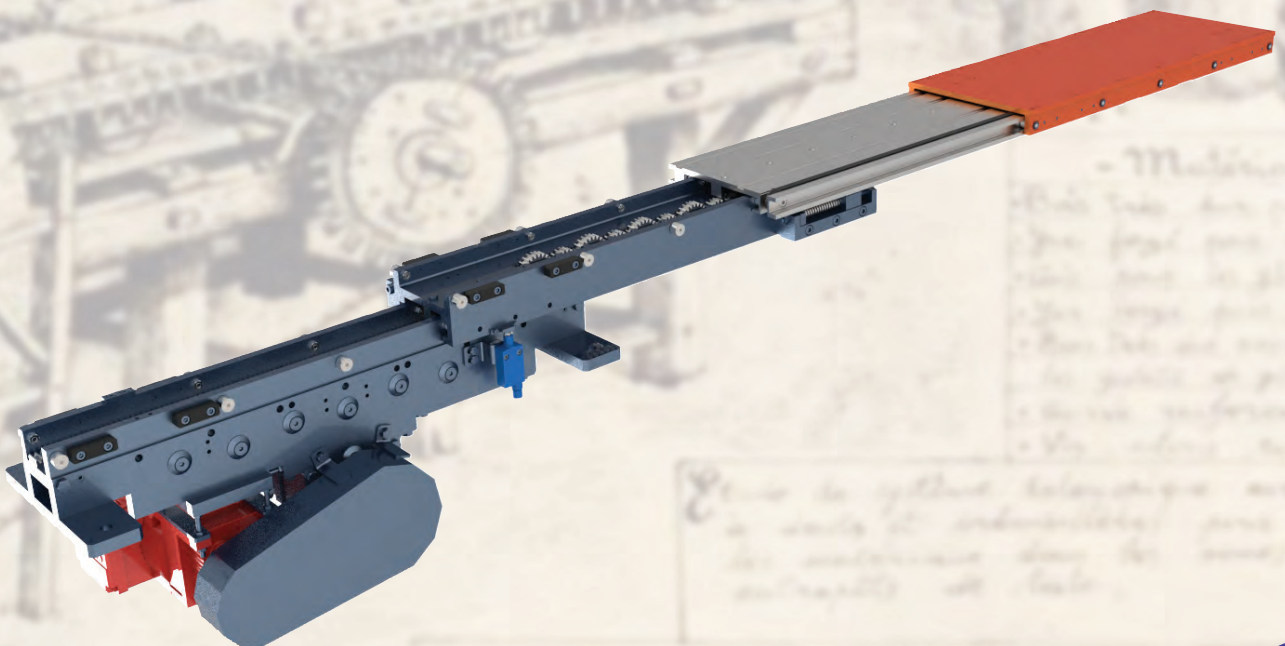


LFD[®]

LOAD HANDLING DEVICES



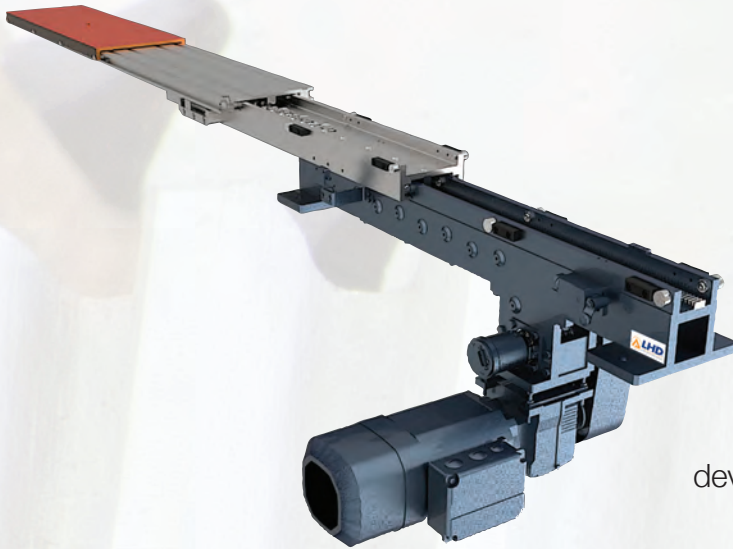
ZEUS 85



2019-Z8-02 



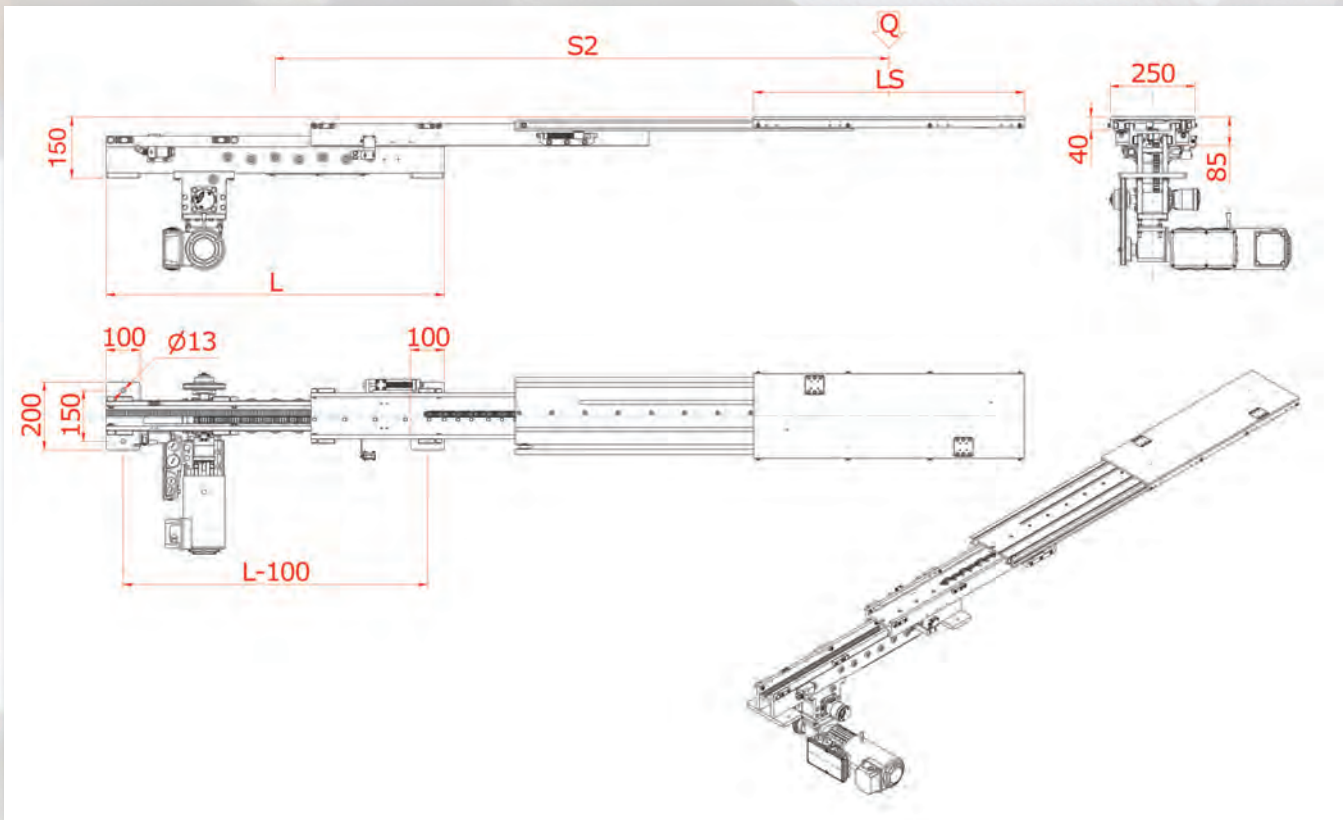
ZEUS 85

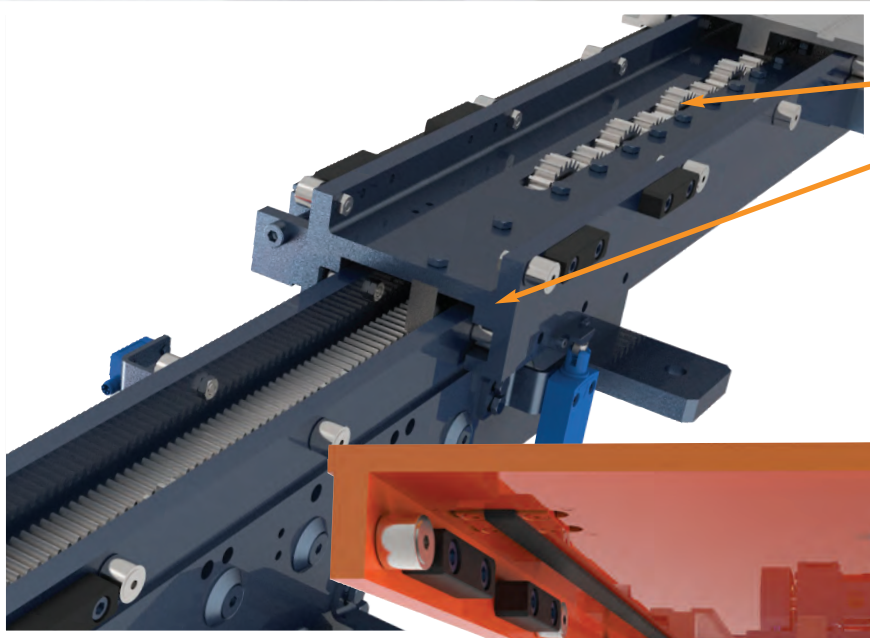


Being the double depth version of the ARES 40, the ZEUS 85 is particularly fit for those applications with a small required space of the slides. The fixed body consists of parts made of a steel/aluminium compound; hence, the total weight of the device is limited.

| PRODUCT CODE | Q LOAD (KG) | L FIXED BODY LENGTH (MM) | LS UPPER SLIDE LENGTH (MM) | S2 STROKE (MM) | MAX BENDING UNDER LOAD (MM) |
|--------------|-------------|--------------------------|----------------------------|----------------|-----------------------------|
| Z85-065 | 100 | 650 | 650 | 1300 | 11 |
| Z85-070 | | 700 | 700 | 1400 | 13 |
| Z85-080 | | 800 | 800 | 1600 | 18 |
| Z85-090 | | 900 | 900 | 1800 | 24 |
| Z85-100 | | 1000 | 1000 | 2000 | 34 |
| Z85-110 | | 1100 | 1100 | 2200 | 44 |
| Z85-120 | 80 | 1200 | 1200 | 2400 | 48 |

The ZEUS 85 is recommended as single fork with a larger plate installed on top, for handling small carton or plastic boxes within the miniload sector.





gear trains made of heat-treated and nitrided 42CrMo4

slides are milled from a whole workpiece to ensure limited bending



longitudinal plays adjustment



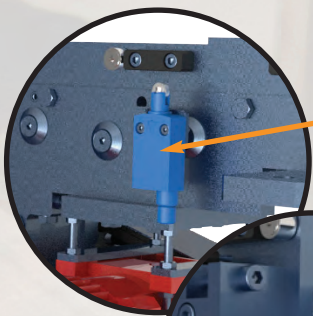
pre-setting for encoder (with optional encoder)

pre-setting for gear motor (with optional gear motor)

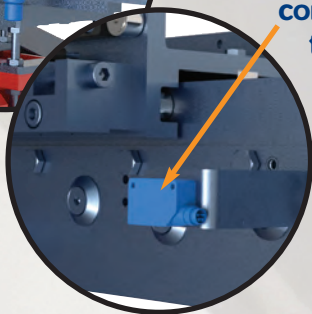
3M grip layer, textured rubber, milling or vulcanized adiprene on upper slides



85 mm slide thickness in double depth (with 100 Kg payload)



extra-stroke control through mechanical micro-switches

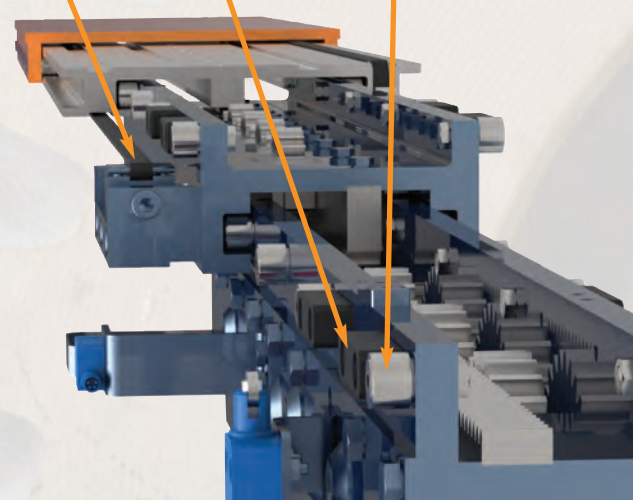


control of centre position through photocells

belt transmission to upper slide

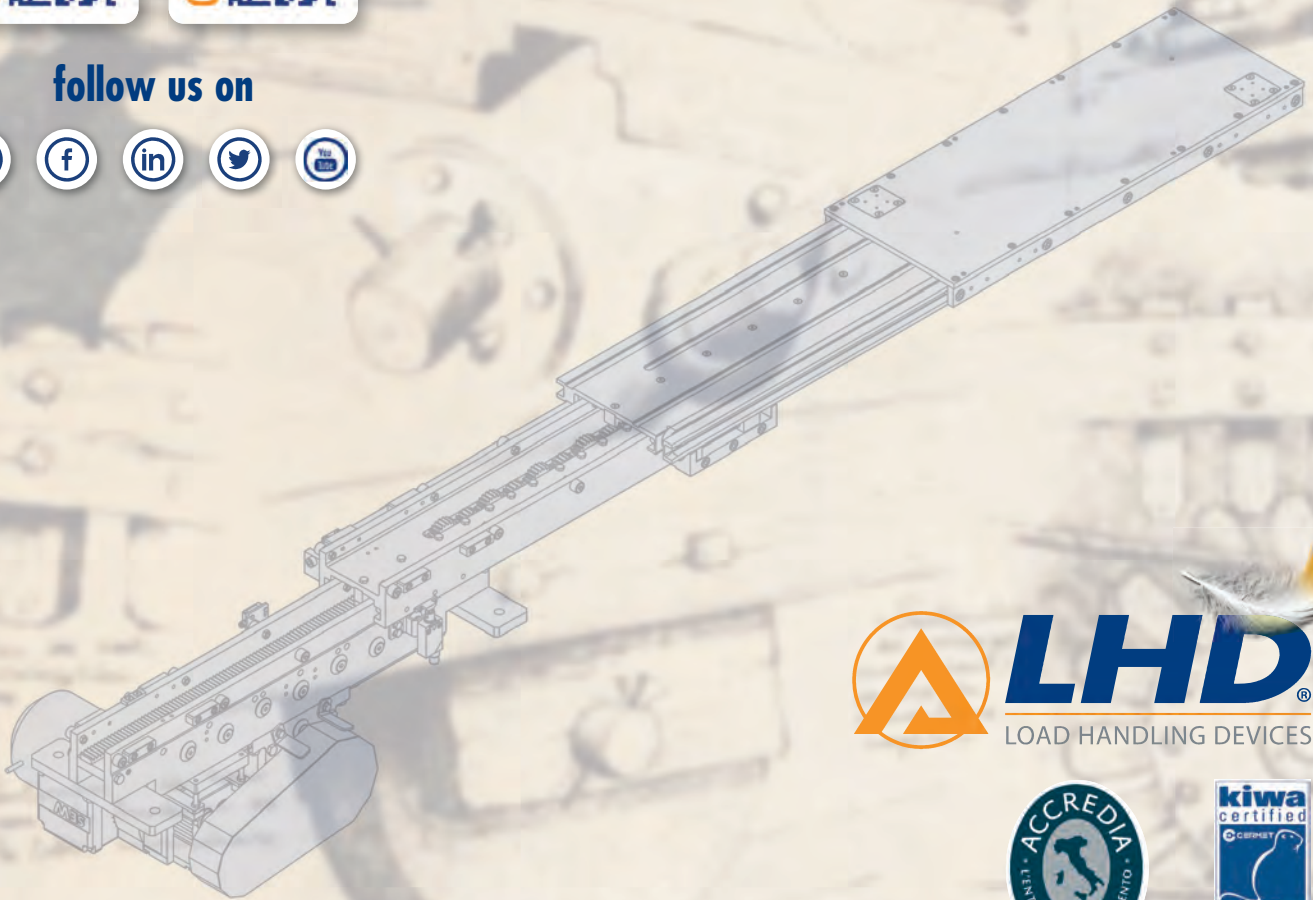
lateral plays adjustment

rollers with lubricator





follow us on



HeadQuarter - LHD S.p.A.
Europe production site

Mr. Giuliano Rivoir
Mobile +39 345 187 9559
Phone/Fax +39 011 908 62 70
g.rivoir@lhd.co.com
info@lhd.co.com
Via Piossasco-Rivalta 30-32
10090 Bruino (TO), Italy
Skype LHD SpA

LHD China/太仓艾拉德
Taicang LHD Co., Ltd.
China production site

Mr. Wenbao Zheng/郑文保
No. 68, East Luoyang Road,
Taicang Economic
Development Area,
215400 Taicang,
Jiangsu, China
Mobile/手机 +86 159 3411 99 19
Phone/座机 +86 (0)512 53 547 892
wenbao.zheng@lhd.co.com

Managing Director

Mr. Daniele Ribetto
Mobile +39 346 727 46 78
d.ribetto@lhd.co.com

LHD Deutschland
Österreich & Schweiz

Mr. Silvano Griot
Mobile +39 391 763 55 79
s.griot@lhd.co.com

LHD Western Europe

Mr. Jacopo Trivero
Mobile +39 391 350 64 30
j.trivero@lhd.co.com

LHD Thailand

Mr. Teeradon Anumas
Master Automation Co., Ltd.
Phra Nakhon Si Ayutthaya, Thailand
Mobile +66 8 5516 2777
teeradon.anumas@ma-thailand.com

LHD South Korea

Mr. Ryang Park
G&S Seojin Co., Ltd.
Seoul, South Korea
Mobile +82 10 2951 4960
Phone +82 2 717 7686
rpark@gs-seojin.com

LHD South East Asia

Mr. Roger Chen/陈雁
Mobile/手机 +86 133-0622-8955
Phone/座机 +86 (0)512-53-837-823
roger.chen@lhd.co.com

LHD India

Mr. Mahmood Haider
Noida, New Delhi, India
Mobile +91 98910 98818
m.haider@lhd.co.com

Purchasing

Mr. Davide Gomez
Mobile +39 392 429 61 63
d.gomez@lhd.co.com